



MADE IN EUROPE



Monocrystalline Photovoltaic Module

Half Cut 360 - 375 W

MPS HC



120 cells | M6 Technology



Italian engineering & design
Extended warranties



Ultra-robust module
30/35 mm frame thickness



Customized production
All Black | Translucent | Standard

+5

Positive tolerance in our
modules with **0/+5 wp**



Stäubli connectors
upon request



SundaHus



www.solarday.it

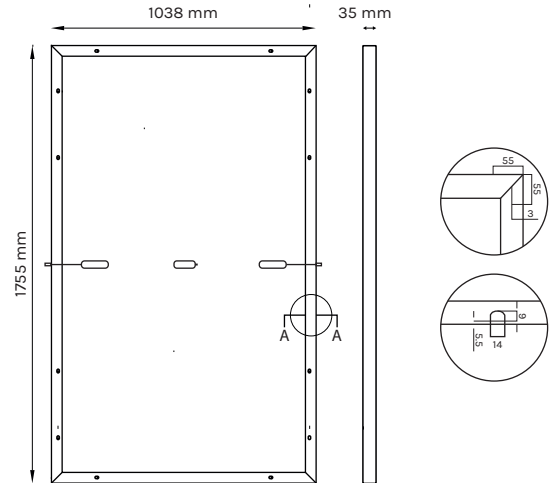
Monocrystalline Photovoltaic Module

Half Cut 360 - 375 W MPS HC



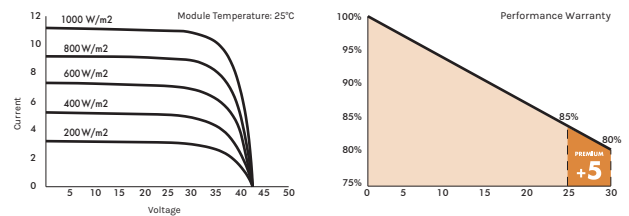
TECHNICAL FEATURES

Cells:	120 (6x20) Monocrystalline Silicon
Available in:	
Frontal Glass:	Glass with low iron content - thickness 3,2 mm Capa ARC < 20000 cd/m2 Frontal load (snow) 5400 Pa - Back load (wind) 2400 Pa
Encapsulant:	EVA (Etilen Vinil Acetato)
Backsheet:	Polymer sheet white/black
Frame:	Black/Silver anodized aluminum 15 micron Grounding holes (For more information please contact our sales team)
Junction Box:	IP68 - 1500 V with 3 by pass diodes Cables length 300/1000/1200 mm Section: 4,0 mm ² ± 1% tolerance Fire Class 1 approval (UNI 9177)
Connectors:	MC4 or compatible connector



WEIGHT, DIMENSIONS AND PACKAGING

20 Kg | 1755 mm x 1038 mm x 30/35 mm | 36/30 pcs pallet | 936/780 pcs truck



ELECTRICAL CHARACTERISTICS *

	MPS HC 360W	MPS HC 365W	MPS HC 370W	MPS HC 375W
Peak power: Pmax (W)	360	365	370	375
Classification tolerance:	0/+5 W	0/+5 W	0/+5 W	0/+5 W
Voltage Pmax: Vmpp (V)	34.00	34.21	34.42	34.63
Current Pmax: Impp (A)	10.59	10.67	10.75	10.83
Open circuit voltage: Voc (V)	40.87	41.06	41.28	41.49
Short-circuit current: Isc (A)	11.08	11.16	11.24	11.32
Maximum system voltage: (V)	1500	1500	1500	1500
Module efficiency: (%)	19.76	20.03	20.31	20.58
Maximum fuse rating: (A)	20	20	20	20

*STC values: 1000W/m², AM 1.5, temperature 25°C. Measurement tolerance +/-3% (AAA Solar simulation - IEC 60.904-9).

TEMPERATURE CHARACTERISTICS

Temperature Coeff. of Voc:	-0,27 % / °C
Temperature Coeff. of Isc:	+0,05 % / °C
Temperature Coeff. of Pmax:	-0,35 % / °C

OPERATIVE CHARACTERISTICS

Operating Temperature:	from -40°C to +85°C
Hailstorm Resistance:	Ø 25 mm, 86 Kg/h
NMOT*:	43 ± 2 °C

*Nominal Module Operating Temperature: Irradiance 800W/m², Temperature 20°C, Wind speed 1m/s

WARRANTIES

20 YEARS
Product Warranty

25 YEARS
Linear Warranty

PREMIUM
+5

SOLARDAY CERTIFICATES

IEC 61215:2016 | EN 61730-1:2016 | EN 61730-2:2016
UNI 9177 Class 1 Fire Class | FIRE TEST MST23 CLASSE C
IEC 62716:2013 | IEC 61701:2011
ECOEM

UNI EN ISO 9001:2015
UNI EN ISO 14001:2015
UNI EN ISO 45001:2018
CE

NOT FOR ITALIAN FEED-IN TARIF

Read the instruction manual for this product before proceeding with the installation. All information in this brochure can be changed without notice by SolarDay.

Office (ES)
Carrer de les Garrigues 17 p.1
46001 Valencia, España
contact@solarday.it +34962071775

Office (IT)
Via privata Antonio Meucci 67
20128 Milano, Italy
info@solarday.it +39022594171

Factory
Località Merlaro 1, 25070
Nozza di Vestone (BS), Italy
info@solarday.it

SolarDay_MPS HC_360-375_1/07/2022_REV.2_EN
Specifications included in this datasheet are subject to change without notice.